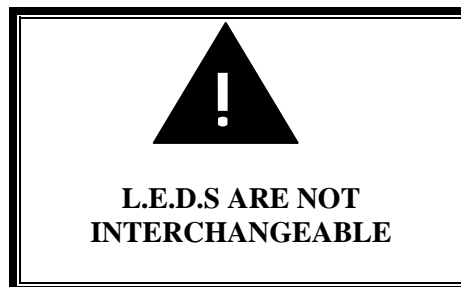




First in LEDs...The solid state warning light leader.™



I. Product Specifications

Optimum Operating Voltage: 13.8 volts DC (working range 12-15 volts DC)

Power Consumption – Standby Mode (Powered but not flashing): <0.0001 microamp

The following table shows the operating current of the 360 Star in various color combinations:

Color Combination	Max. Current Draw	Average Current Draw	Recommended Fuse
Red/Amber	1.6 amps	0.6 amps	7.5 amp
½ Red or Amber ½ Blue or White or Green	3.0 amps	1.5 amps	
Blue/White/Green	4.2 amps	2.1 amps	

These values are based on an input voltage of 13.8 volts DC

The 360 Star is manufactured with a chrome-plated, die-cast aluminum base and a polycarbonate lens. Light output is courtesy of twelve light emitting diodes working in conjunction with specially designed optics which together, meet and exceed the requirements of SAE J845.

II. Wiring Guidelines

Switched Version

- There is no wiring necessary with the switched version of the 360 Star. Simply plug the 360 Star directly into the vehicle's cig plug.
- The switched version of the 360 Star is operated from the 3-position switch located on the cig plug (see figure 1).
- The forward position of the switch is momentary and is the pattern selector. Moving the switch in and out of the momentary position will toggle through the available flash patterns (see "Flash Pattern List"). The last pattern selected in this position will remain in the 360 Star's memory and will be flashed when the light is switched "ON". **The 360 Star will retain its pattern memory when it is unplugged.**

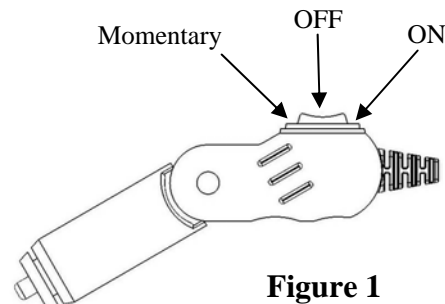


Figure 1

- The rear position of the switch is the “ON” position and, when activated, will flash the pattern stored in the 360 Star's memory. The pattern stored in memory will remain until it is manually changed using the momentary pattern selector. For convenience, the 360 Star may be left in the “ON” position and simply be plugged in for operation.
- The center position of the 3-position switch is “OFF”.

Hard-Wired Version

CAUTION: Do not install the 360 Star without reading and fully understanding the wiring guidelines below.

Operation and Bench Testing

Bench testing should be done using either a 12-volt DC battery or power supply. NEVER use a battery charger as this can introduce damaging voltage spikes into the 360 Star. The 360 Star's seven wires are broken down in the following table which can be referenced during bench testing and installation. There is a wiring schematic included in this guide for reference.

Category	Which wires	Description
Power	Red, 16-gauge	Connect this wire to +12-volts DC. Fuse this wire with a 7.5-amp fuse as close to the power source as practical.
	Black, 16-gauge	Connect this wire securely to ground.
	Bare-metal wire	This is an RF drain wire and should be connected to ground.
Pattern Wires	Green, 22-gauge Blue, 22-gauge Yellow, 22-gauge	These wires are the +12-volt pattern wires. Connecting these wires individually or in combination will yield the 360 Star's flash patterns (see “Flash Pattern List”). These wires will ultimately be wired into a switch, series of switches, or a 12-volt flasher. Not all wires are required to be used in order to operate this product.
Pattern Selector	Orange, 22-gauge	This wire is used only during configuration as a pattern selector and is documented in the “Step-by-Step Configuration” section. This wire will not be connected to the vehicle during installation.

The Factory Default flash patterns are indicated on the enclosed “Flash Pattern List”. If the default flash patterns are found to be satisfactory, then the Step-by-Step Configuration process is not necessary. To change flash patterns, refer to the “Step-by-Step Configuration” section.

Once testing is complete, proceed to the “Mounting” section to install the 360 Star on your vehicle.

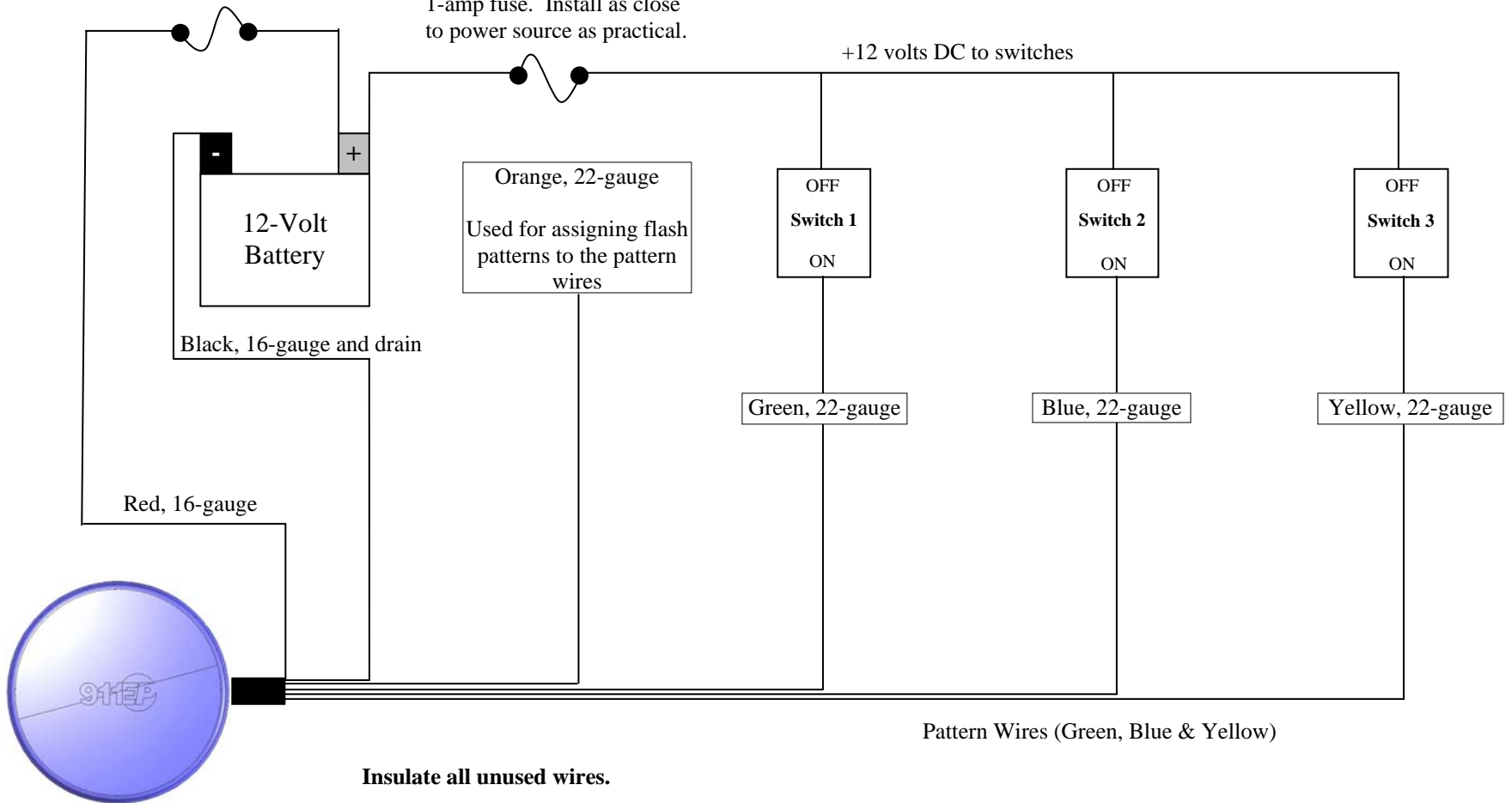
If any problems occur or you have questions, please call your distributor or 911EP® Technical Support.

360 Star Installation Wiring Schematic

7.5-amp fuse. Install as close to power source as practical.

1-amp fuse. Install as close to power source as practical.

+12 volts DC to switches



III. Mounting

The 360 Star is designed to be mounted with the metal base oriented downward. Mounting the 360 Star in any other position will allow moisture to enter through the weep holes in the metal base. In addition, there is a left and right side of the 360 Star with reference to some of the flash patterns and color configurations. The arrow located on the metal base of 360 Star designates the forward position. On dual color 360 Star's (i.e. 360 Star Red/Blue) this is where the color split occurs.

Switched Version

The switched version of the 360 Star is shipped with the magnetic mount, rated at 100 pounds, installed and ready for use. Also included is a thin layer of plastic that may be used as a scuff guard. The scuff guard will reduce the magnetic force of the magnet, therefore test your mounting location with the scuff guard intact to ensure enough magnetic pull is present before placing the 360 Star in service.

Hard-Wired Version

The hard-wired version includes two ¼" x 20 x ¾" screws and two ¼" lock washers for mounting through a surface with a maximum thickness of 3/8". Use the enclosed drill template for reference. We recommend 6 to 8 inches of excess cable remain near the mounting location to allow access to the base of the 360 Star in the event it requires service. Wire the 360 Star according to the schematic on the previous page. Always fuse the red (positive) wire and ensure a secure ground connection.

IV. Care and Maintenance

The 360 Star is relatively maintenance free. Because there are no high power strobe supplies or short life filament bulbs, the 360 Star should provide years of reliable service with no intervention. The chrome-plated, die-cast aluminum base is maintenance free and will not deteriorate. The 360 Star's polycarbonate lens may be cleaned with an aftermarket, non-abrasive, polycarbonate lens cleaner.

The 360 Star is manufactured with specific color configurations. **The 360 Star's L.E.D.s are not interchangeable.** It is not designed to have the L.E.D.s changed or removed once it has left the factory. Opening the 360 Star for any reason will void the 5-year warranty.

The 360 Star is designed with a removable cord. Contact your distributor or 911EP® Technical Support for more information.

V. Troubleshooting

If the 360 Star malfunctions, check the condition of all electrical connections. This includes the main power and ground, as well as any pattern wires that are being used.

If all power connections check out, reset the power to the 360 Star by removing power and ground for at least 20 seconds. If the 360 Star continues to malfunction, please call your distributor or 911EP® Technical Support for additional help.

Step-by-Step Configuration

The following provides the step-by-step configuration process to select a flash pattern for each of the Pattern Wires or combination of wires. Upon initial installation, determine the number of switches you will activate while operating the 360 Star. The product is designed to allow up to three switching devices, one for each individual pattern wire, which can be used in combination to activate up to seven flash patterns. The wire combinations that you should configure, based on the number of switches you are using, are as follows:

Switch 1 Green wire	Switch 2 Blue wire	Switch 3 Yellow wire	Wire or Combination of Wires to Configure
On	-	-	Green wire
-	On	-	Blue wire
On	On	-	Green + Blue wires
-	-	On	Yellow
On	-	On	Green + Yellow wires
-	On	On	Blue + Yellow wires
On	On	On	Green + Blue + Yellow wires

Once you determine the number of switches to be used, configure the flash patterns as follows:

1. Connect the Red, 16-gauge wire to +12-volts DC. Fuse this connection with a 7.5-amp fuse during bench testing and final installation.
2. Connect the Black, 16-gauge wire and the bare-metal drain wire to ground.
3. Select the Wire Combination to configure based on the table above (we recommend that you begin with Switch 1, the Green, 22-gauge pattern wire)
4. Connect the selected Wire Combination to +12-volts DC. The 360 Star will begin flashing the Factory Default pattern for this wire as indicated on the “Flash Pattern List”.
5. To change the flash pattern for this wire combination, momentarily apply the Orange, 22-gauge pattern selector wire to +12 volts DC. Each time the orange wire is touched to +12 volts DC, the 360 Star will flash the next flash pattern in the list (see “Flash Pattern List”). Once the desired flash pattern is reached, discontinue this step and disconnect the wire combination.
6. The flash pattern has now been configured and set. If you are only using one switch, proceed to the Mounting section of these instructions. If using more than one switch, repeat steps 3 – 5 for each Wire Combination corresponding to the number of switches you will be using. Once complete, proceed to the Mounting section of these instructions.

Important Notes

If the Orange, 22-gauge Pattern Selector wire is applied to +12-volts DC without applying power to any Wire Combination the 360 Star will cycle through the flash patterns and configure a pattern for the Green Pattern Wire.

LIMITED WARRANTY

Congratulations on your purchase of a quality 911EP[®] product.

911EP[®], Inc. (the “Warrantor”) will replace parts, in case of defects in materials or workmanship, for five years subject to the following conditions and limitations:

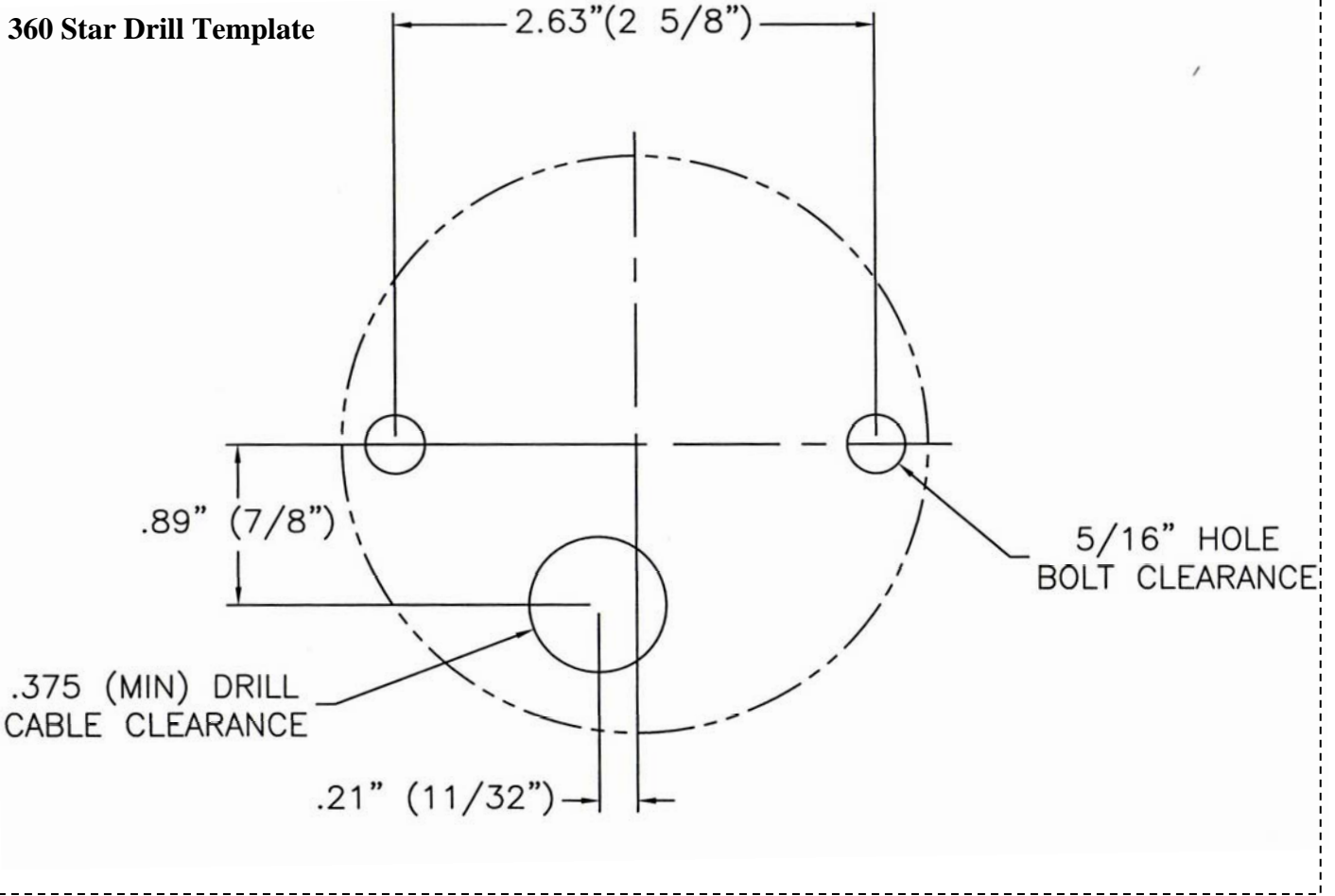
- This warranty only covers failures due to defects in materials or workmanship, and does not cover normal wear or cosmetic damage. This warranty does not cover damage that occurs in shipment, failures caused by products not supplied by the Warrantor, or failures that result from abuse, accidents, maladjustment of consumer controls, neglect, improper or inadequate maintenance, improper use of the product, corruption of the cigar plug, amputation of the cigarette plug, unauthorized modification of the product, commercial use (such as rental use) of the product or damage that is attributable to acts of God or other events beyond the control of the Warrantor.
- The Warrantor will, for five years from the date the product is shipped from the 911EP[®] manufacturing facility, cover the cost of replacement for defective parts under this Warranty. This warranty does not cover chipping, scratching, fading or discoloration of lenses or paint. ***Halogen lamps are not covered under this warranty.*** The warranty does not cover labor charges for removal and re-installation of the product. This warranty will be voided by any unauthorized alteration made to your 911EP[®] product, or by the installation or attachment of any accessory not designed by 911EP[®] specifically for the product.
- The Warrantor shall not be liable for incidental or consequential damages resulting from the use of this product, or arising out of any breach of this warranty. If a problem with this product develops within the warranty period, contact a Technical Service Representative at (800) 863-6911.

Exclusion of Warranties: This limited warranty is expressly in lieu of all other agreements and warranties, general or special, express or implied. The warranties of MERCHANTABILITY and FITNESS FOR A PARTICULAR PURPOSE, and all other warranties, express or implied, are EXCLUDED from this transaction and shall not apply to the goods sold. The Warrantor reserves the right, in its sole and absolute discretion, to refund all or a portion of the purchase price rather than repair or replace any defective materials for workmanship.

The Warrantor shall not be liable for incidental or consequential damages. Some states and countries do not allow the exclusion or limitation of implied warranties, incidental or consequential damages, so the above limitations and exclusions may not apply to you.

This limited warranty does not cover any representation or warranty made by any person beyond the provisions of this warranty. No representative or person is authorized to assume liability on behalf of the Warrantor in connection with the sale or use of any product.

360 Star Drill Template



This page intentionally left blank