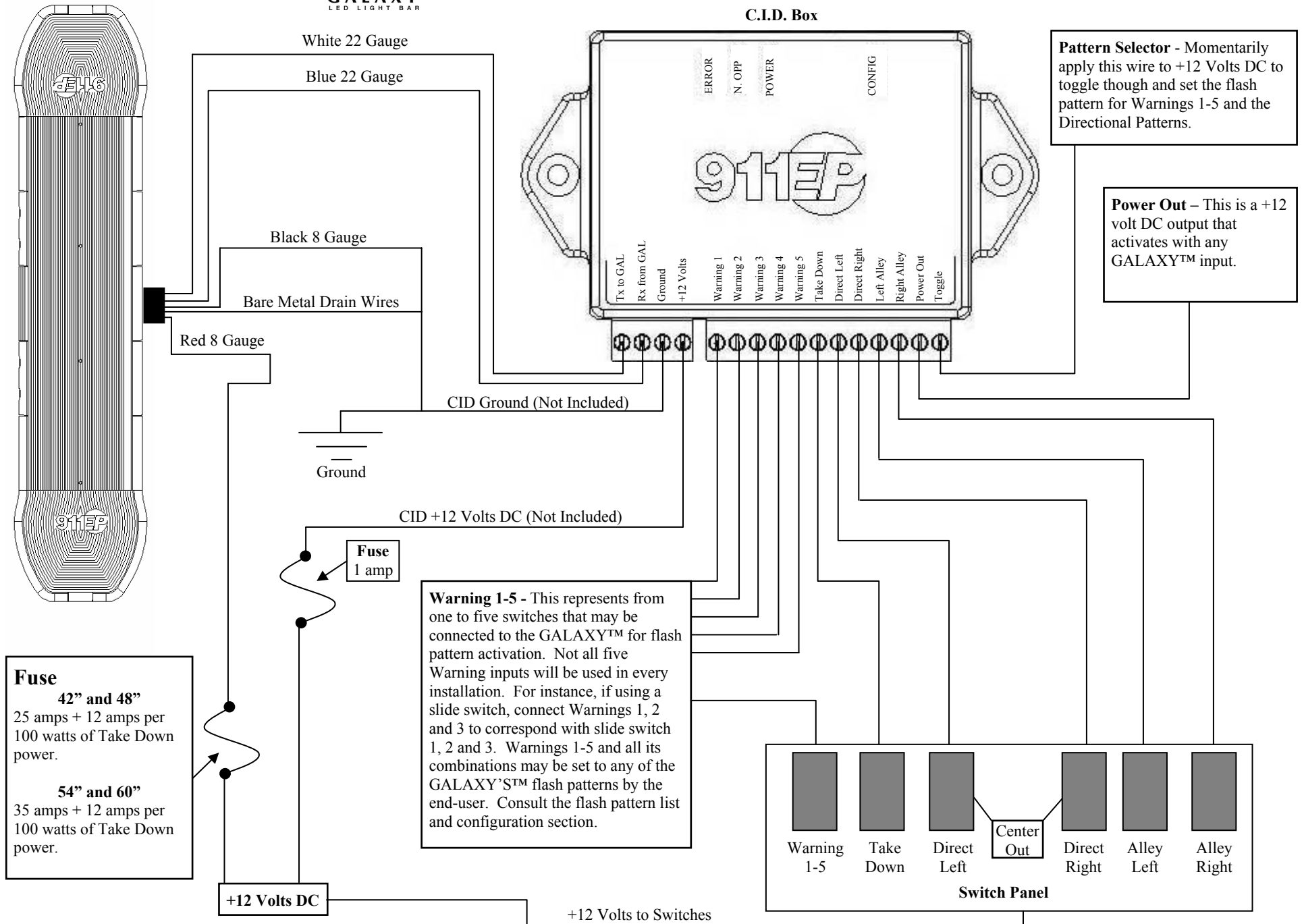




# GALAXY Elite™ Wiring Schematic



C.I.D. Box

**Pattern Selector** - Momentarily apply this wire to +12 Volts DC to toggle though and set the flash pattern for Warnings 1-5 and the Directional Patterns.

**Power Out** - This is a +12 volt DC output that activates with any GALAXY™ input.

**Warning 1-5** - This represents from one to five switches that may be connected to the GALAXY™ for flash pattern activation. Not all five Warning inputs will be used in every installation. For instance, if using a slide switch, connect Warnings 1, 2 and 3 to correspond with slide switch 1, 2 and 3. Warnings 1-5 and all its combinations may be set to any of the GALAXY'S™ flash patterns by the end-user. Consult the flash pattern list and configuration section.

**Fuse**  
**42" and 48"**  
 25 amps + 12 amps per 100 watts of Take Down power.  
**54" and 60"**  
 35 amps + 12 amps per 100 watts of Take Down power.

+12 Volts DC

+12 Volts to Switches

