



GALAXY™
LED LIGHT BAR



***OWNER'S
MANUAL***



Thank you for purchasing a 911EP® GALAXY™ Light Bar!

***Every light bar is carefully inspected
for defects prior to shipment.***

Questions or Concerns?

911EP® wants to quickly resolve any concerns about your light bar or questions as to its use. Listed below are the phone, fax number and Internet site for contacting us. ***When contacting us, please have the product serial number ready.***

VOICE: 1-800-863-6911

FAX: 1-320-253-6384

www.911ep.com

Important Safeguards

- This product requires the installer to have a good understanding of automotive electronics, systems and procedures.
- Before attempting to install or service this device, please read all the instructions!

Warnings:

To reduce the risk of fire, product damage or injury:

- Always disconnect power from product when servicing.
- Properly fuse light bar per the manufacturer's specifications.
- When drilling holes for the cord, be sure to de-burr and use rubber grommets.
- Never use a battery charger to bench test this device.
- Do not drill, cut, or in any way alter this product's mounting, wiring or chassis.
- Use only authorized replacement parts in this product.
- Use only soap and water to clean lenses. Use of other chemicals can cause deterioration of the plastic resulting in sub-optimal performance.
- This product contains high-intensity LED modules. ***Do not stare directly into them at close range as eye damage could result.***
- This product may contain halogen lights which can produce intense heat. Avoid touching the glass surfaces while using, or just after using these lights for any extended time.

Notice

- Your new light bar is pre-wired from the factory with the power cord exiting the passenger side.
- When choosing the placement for mounting, please consider the cable routing and the risk of pinching wires. Be mindful of sharp burrs and mechanical fasteners that can also increase the risk of cable failure. ***Make sure that normal vehicle operations and safety features are not altered or overridden in any way.***
- It is not the recommendation of the manufacturer that any holes are drilled into this product! The risk of damaging internal components and subsequent failure of the light bar will void any warranty coverage of this product.

How It Works

GALAXY™ – The GALAXY™ operates by applying +12 volts DC to one or more of its pattern input wires. Take Downs operate independently via a pair of 12-gauge wires. Factory-delivered Take Downs do not flash. Flashing the Take Downs would require an aftermarket flasher able to handle the corresponding power.

GALAXY Elite™ – The GALAXY Elite™ operates in conjunction with a **C.I.D. Box**. Inputs on the C.I.D. Box are powered by +12 volts DC which activates the GALAXY Elite™ via serial communication. The C.I.D. Box has three LEDs that indicate the following:

- **POWER:** This *green* LED lights steady when both the C.I.D. Box is powered up with +12 volts DC and a pattern input is active with +12 volts DC.
- **N. OPP (NORMAL OPERATIONS):** When the C.I.D. Box is functioning normally, this *amber* LED blinks. If the amber LED does not blink while the green LED is lit, this indicates a C.I.D. Box failure.
- **ERROR:** This *red* LED indicates a communication error between the C.I.D. Box and the GALAXY Elite™. To troubleshoot:
 - Check fuses and power connections to ensure that both the light bar and the C.I.D. Box are powered up with +12 volts DC.
 - Check that the ‘Tx to GAL’ (white) and ‘Rx to GAL’ (blue) wires are securely connected to the C.I.D. Box, not touching each other, or grounded.

Installing the Light Bar

1. Using a 12-volt automotive battery only, bench test your GALAXY™ to ensure proper functionality. This can be done by following the included Wiring Schematic.
2. Attach the mounting feet according to the installation guide furnished with your mounts and position the GALAXY™ on the vehicle. Determine the routing of the cable and, if necessary, drill a cable access hole. Do not drill through any roof support members. Smooth and de-burr the hole. Use of a rubber grommet is recommended (user supplied).
3. Route the cable into the vehicle.

Installing the Light Bar (cont.)

4. Refer to the GALAXY™ or GALAXY Elite™ Wiring Schematics to connect the light bar as follows:

GALAXY™ – When installing a GALAXY™, route the power wires to properly fused +12 volt DC power locations. Route and connect the input wires to a +12 volt DC switch panel. *NOTE: Be sure that the Pattern Selector wire (Violet 22 gauge) is accessible for the pattern selection process (see Flash Pattern Configuration).*

GALAXY Elite™ – When installing a GALAXY Elite™, route the power wires to properly fused +12 volt DC power locations. Mount the C.I.D. Box in a location away from heat and moisture. Route and connect the white and blue communication wires to the C.I.D. Box per the schematic. Follow the schematic to properly connect a +12 volt DC switch panel to the pattern inputs located on the C.I.D. Box. *NOTE: Be sure that the Toggle input on the C.I.D. Box is accessible for the pattern selection process (see Flash Pattern Configuration).*

NOTE: The GALAXY™ power and ground wires should be securely connected as close to the vehicle's power source as possible. The positive wire(s) should be fused according to the included Wiring Schematic.

5. Once all necessary connections are made, insulate any unused wires. Test the light bar to ensure all lights operate properly.
6. Finish securing the GALAXY™ mounting hardware per the mounting kit's installation guide. Use RTV silicone to weatherproof the cable access hole if necessary.
7. Finally, remove the protective film on each lens.

Flash Pattern Configuration

LED Flash Patterns

Different flash patterns can be selected on both the GALAXY™ and GALAXY Elite™ for each warning or directional switch on the installed switch panel as follows (refer to QUICK START card for listing of flash patterns):

1. Activate the switch or combination of switches you would like to configure. The light bar will begin to flash the configured flash pattern.
2. Momentarily apply the pattern selector wire to +12 volts DC to change the pattern. The pattern selector is the violet wire on the GALAXY™ and the "Toggle" input on the GALAXY Elite™ C.I.D. Box. The flash pattern will change each time the pattern selector is applied to power.
3. The last pattern selected will remain set for the switch or switches activated.
4. Repeat this process for each warning or directional switch or switches you would like to change.

Flash Pattern Configuration (cont.)

Alley Light Flash Patterns

The GALAXY™ and GALAXY Elite™ can flash the Alley lights with any of the “Warning” patterns. To do this:

1. Activate the Warning switch you would like to configure. The light bar will begin to flash the currently configured flash pattern.
2. Activate the “Left Alley” switch. The Left Alley light will turn on.
3. With both the “Warning” and “Left Alley” switches activated, momentarily apply the pattern selector wire to +12 volts DC. The pattern selector is the violet wire on the GALAXY™ and the “Toggle” input on the GALAXY Elite™ C.I.D. Box. No visible change will take place.
4. Turn off the “Left Alley” switch. The Alley lights will flash in conjunction with the warning switch activated. Note that the first Alley light pattern is steady-on. This can be changed to a flashing pattern by repeating steps 2, 3, and 4.

Take Down Flash Patterns (GALAXY Elite™ Only)

The GALAXY Elite™ can flash the Take Down light(s) in any of the “Warning” patterns. To do this:

1. Activate the Warning switch you would like to configure. The light bar will begin to flash the currently configured flash pattern.
2. Activate the “Take Down” switch. The Take Down light(s) will turn on.
3. With both the “Warning” and “Take Down” switches activated, momentarily apply the pattern selector wire to +12 volts DC. The pattern selector is the “Toggle” input on the GALAXY Elite™ C.I.D. Box. No visible change will take place.
4. Turn off the “Take Down” switch. The Take Down light(s) will flash in conjunction with the warning switch activated. Note that the first Take Down pattern is steady-on. This can be changed to a flashing pattern by repeating steps 2, 3, and 4.

Maintaining the Light Bar

The **GALAXY™** and **GALAXY Elite™** are engineered to give you many years of service with only a small amount of maintenance. Following these few simple steps will maximize the life expectancy and overall performance of the light bar.

Altering this product outside the manufacturer's specifications is dangerous and will void the warranty placed on your product by **911EP®**. Products returned for warranty with obvious alteration will not be considered a warranty item, and repair costs will be assessed. See the warranty section for complete details.

- Keeping the lenses clean and scratch free will keep your light within specification and performing at peak efficiency. To do this, use a soft cotton cloth and soapy water to clean loose dirt and insects off the lens surfaces. (Never wipe lenses without water!) Never use caustic or harsh chemicals on lenses; this may cause surface cracks that can severely reduce both the light output and life of the lens. When the time comes to change out the lenses, please contact your dealer.
- The exterior of the **GALAXY™** should be cleaned with normal soapy water.
- The mounting hardware for your **GALAXY™** is designed to fit the vehicle for which it is intended. Each mounting system may have specialized maintenance needs which are indicated on each install guide. A review of bolt/hardware integrity should be performed at the beginning and end of each shift. This is also a great time to do a visual inspection of the LEDs/halogen lamps, making sure everything is in working order.
- No maintenance is required on your C.I.D. Box (**GALAXY Elite™** only); however, routine inspection should be performed, checking for loose connections, the presence of moisture, and physical damage.
- The replacement of halogen lamps is a simple process, as indicated on the following page. These lamps are wired together and are meant to be replaced as a set. The average life expectancy between lamps are such that when one burns out, the other is reaching the end of its useful life and should be replaced as well.

Warning:

Never alter the wiring as supplied from the factory.

This wire gauge and connector design is engineered to work with the high-power halogen lamps.

Altering a **GALAXY™** to drive too much wattage can result in a fire.

Use only 911EP® approved replacement parts!

Chassis Cover Removal

1. Loosen tension on mounting system to relieve internal stress on top cover.*
2. Using a 5/32" hex wrench, progressively** turn each bolt one turn counterclockwise until cover is free.

*See mounting instructions for applicability.

**Advancing a single bolt too far will cause the cover to bind.

Chassis Cover Replacement

1. Re-align lower chassis for any deflected metal caused by rough handling.†
2. Position each bolt under the corresponding hole; orientate cover into the receiving holes noting the front of the light bar.
3. As in the removal process, progressively turn each bolt one turn clockwise until cover has come to rest.

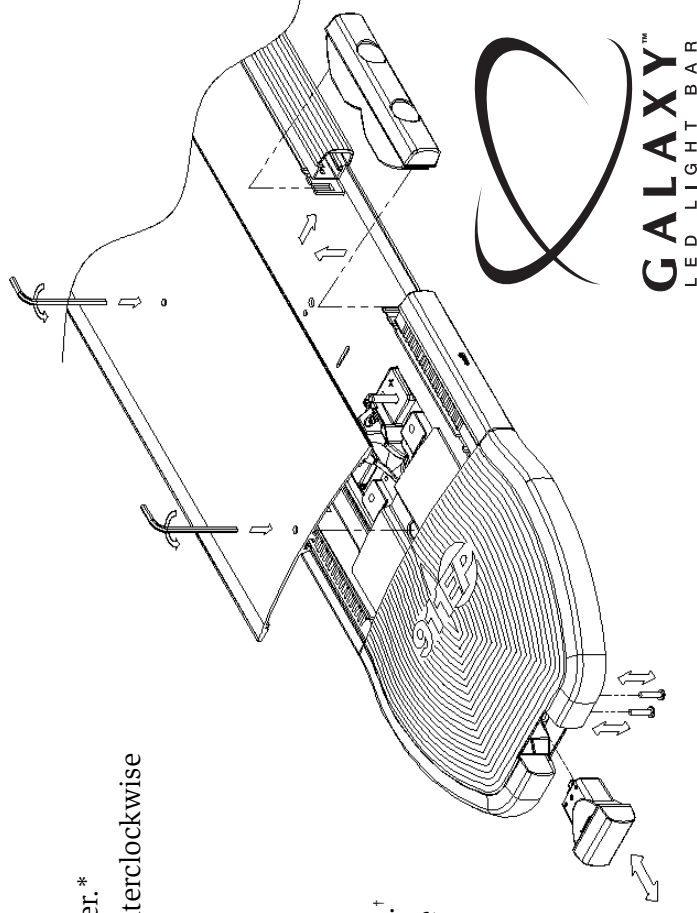
†The cover needs proper alignment to completely seat, be sure lower chassis is true.

Take Down Replacement

1. Disconnect main power and remove chassis cover.
2. Loosen screws holding Take Down light module in chassis and lift out of chassis. Remove twin halogen lamps by removing bulb-retaining screws and harness connectors.
3. Replace H3 lamp assembly using 911EP® replacement parts (TDL110REP or TDL200REP), reinsert bulb-retaining screws and connect harness wires. **Caution: DO NOT touch the new bulb glass surface when replacing the lamp assembly.**
4. Temporarily reconnect main power to test new lamp operation.
5. Replace chassis cover and reconnect main power.

Alley Light Replacement

1. Disconnect main power.
2. Using a Phillips screwdriver, remove two retaining screws from the underside of end cap.
3. Grasp and slide out Alley light, unplug the +12 Volt DC and unscrew the ground wire connections.
4. Remove and replace H3 lamp using 911EP® part AL55REP. **Caution: DO NOT touch the new bulb glass surface when replacing lamp.**
5. Reconnect wire connections and reinsert housing with the lens fluting facing forward. Carefully replace retaining screws, and reconnect main power.



LIMITED WARRANTY

Congratulations on your purchase of a quality 911EP® product.

911EP®, Inc. (the “Warrantor”) will replace parts, in case of defects in materials or workmanship, for five years, subject to the following conditions and limitations:

- This warranty only covers failures due to defects in materials or workmanship, and does not cover normal wear or cosmetic damage. This warranty does not cover damage that occurs in shipment, failures caused by products not supplied by the Warrantor, or failures that result from abuse, accidents, maladjustment of consumer controls, neglect, improper or inadequate maintenance, improper use of the product, corruption of the cigarette plug, amputation of the cigarette plug, unauthorized modification of the product, commercial use (such as rental use) of the product or damage that is attributable to acts of God or other events beyond the control of the Warrantor.
- The Warrantor will, for five years from the date product is shipped from the 911EP® manufacturing facility, cover the cost of replacement for defective parts under this Warranty. This warranty does not cover chipping, scratching, fading or discoloration of lenses or paint. ***Halogen lamps are not covered under this warranty.*** The warranty does not cover labor charges for removal and re-installation of the product. This warranty will be voided by any unauthorized alteration made to your 911EP® product, or by the installation or attachment of any accessory not designed by 911EP® specifically for the product.
- The Warrantor shall not be liable for incidental or consequential damages resulting from the use of this product, or arising out of any breach of this warranty. If a problem with this product develops within the warranty period, contact a Customer Service Representative at (800) 863-6911.

Exclusion of Warranties: This limited warranty is expressly in lieu of all other agreements and warranties, general or special, express or implied. The warranties of MERCHANTABILITY and FITNESS FOR A PARTICULAR PURPOSE, and all other warranties, express or implied, are EXCLUDED from this transaction and shall not apply to the goods sold. The Warrantor reserves the right, in its sole and absolute discretion, to refund all or a portion of the purchase price rather than repair or replace any defective materials for workmanship.

The Warrantor shall not be liable for incidental or consequential damages. Some states and countries do not allow the exclusion or limitation of implied warranties, incidental or consequential damages, so the above limitations and exclusions may not apply to you.

This limited warranty does not cover any representation or warranty made by any person beyond the provisions of this warranty. No representative or person is authorized to assume liability on behalf of the Warrantor in connection with the sale or use of any product.



13386 International Parkway, Jacksonville, FL 32218
Customer service: 800-863-6911 or (904) 807-4908. Fax: (904) 807-4909
www.911ep.com