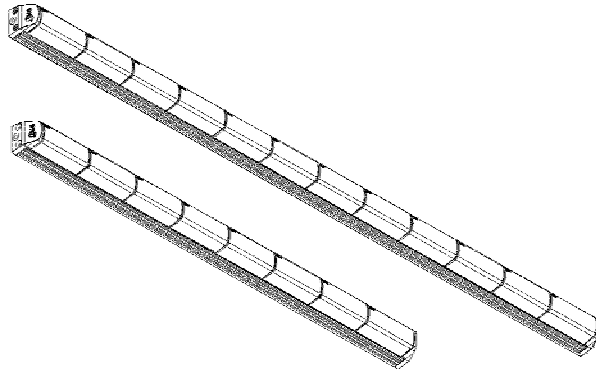


Model Number: TD-WL36
 Model Number: TD-WL24
 TDWL Series Product Line



User's Guide



Warranty and Instruction Compliance

Please read the product's warranty and installation guidelines carefully. Failure to do so may limit the warranty coverage or completely void the warranty.

The 911EP Limited Warranty card describing the coverage details, terms, and conditions is included within the product's packaging. The warranty term chart for each specific product is on the front page. The product specific suggested maintenance schedule can be found on the back page.



© Armor Holdings, Inc

Phone (800) 863-6911 • Fax (800) 863-2991 • www.911EP.com



Thank you for purchasing a 911EP TDWL Series stick product!

! This Product Contains NO User Serviceable Parts !
! Always Install Recommended Fuse Protection !
! Attempting to interchange LEDs will VOID the product's warranty !

Overview:

The TDWL Series product line offers traffic director functionality with warning light features integrated into one durable, sleek, and low profile package. Each product can be configured to perform either directional functions or warning light flash patterns.

Precautions:

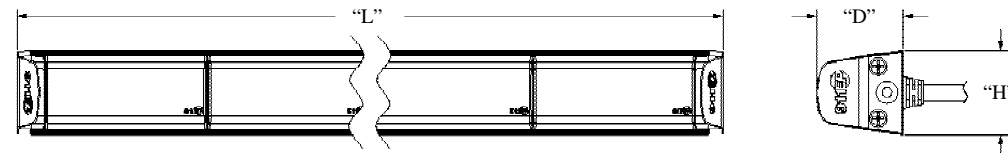
- ✓ Installing any TDWL requires a good understanding of automotive electronics, systems, and procedures.
- ✓ Please read all of the instructions before attempting to install or operate any of the TDWL products.
- ✓ Always disconnect power when installing or uninstalling this device.
- ✓ Never use a battery charger to bench test this device.

Product Specifications Electrical:

Optimum Operating Voltage – 13.8 volts DC (working range 12 – 15 volts DC)
 Stand-by Current Draw (not in use) - <.001A
 Operating Current Draw (13.8vdc) – 1A min / 7A max (determined by flash pattern activated)
 Recommended Fuse – 10A (provided fuse kit can be located within product's box)
 Operating Temperature Range – Min. -40°F (-40°C) / Max. 185°F (85°C)

Product Specifications Mechanical:

Product Length ("L") – TDWL24 = 23.06" (58.6 cm)
 - TDWL36 = 34.12" (86.7 cm) Product Height ("H") – 1.44 " (3.6 cm)
 Product Depth ("D") – 1.47 " (3.7 cm) Side Mounting Inserts - #8-32 x ¼" Threading
 Chassis Material – Aluminum Lens Material - Polycarbonate



Questions?

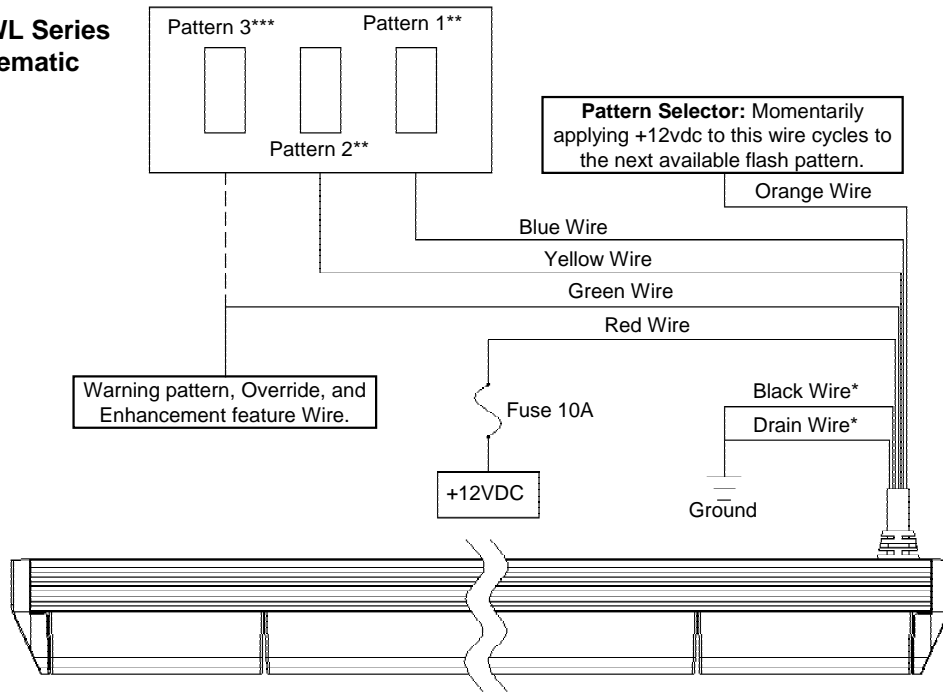
911EP® will try to quickly resolve any questions or concerns you may have as to the use of our products or issues you may experience with them. Please contact our Customer Service department with any general questions or our Technical Service department with any technical questions or concerns. **When contacting us about a product you have purchased, please have the product's serial number readily available.**

Phone: (800) 863-6911

Fax: (800) 863-2991

Visit us at: www.911EP.com

TDWL Series Schematic



* Black and drain wires to be securely connected to vehicles common ground.

** A 4th flash pattern is available by the combined activation of the yellow and blue pattern activation wires.

*** The green activation wire controls optional override and product enhancement features..

Flash Pattern List:

1	Wig-Wag Pulsar	9	Wig-Wag Accelerator	17	Wig-Wag End Segmet(s)
2	Wig-Wag Chicago	10	Double 64 Flash	18	Cycle (Patterns 1 - 5)
3	64 Flash	11	Wig-Wag Double Pop	19	Direct Left (Full)
4	Inside Out	12	New 64 Flash	20	Direct Right (Full)
5	Wig-Wag 3 Hz	13	Steady On	21	Direct Center Out (Full)
6	On Off 1 Hz	14	Night Wig-Wag Double Pop	22	Direct Left (Partial)
7	Alt Double Pop w /64 Flash	15	Night 64 Flash	23	Direct Right (Partial)
8	Chaser	16	Night Inside Out	24	Direct Center Out (Partial)

Flash patterns #19 thru #24 are the 2 different options available for the 3 primary directional patterns. Directional (Full) utilizes all available segments. Directional (Partial) excludes the outer segments on the TDWL24 products and the outer 2 segments on the TDWL36 products.

Flash pattern 17, wig-wags the outer segments on the TDWL24's and the outer 2 segments on the TDWL36's .

Flash patterns #14 thru #16 are low intensity flash patterns. These are offered for the intended purpose of operating in nighttime scenarios where a less intense light output is preferred.

Flash pattern #18 repeatedly cycles through patterns #1 thru #5, pausing for approximately 10 seconds on each pattern before automatically cycling to the next.

Installation Guidelines:

The TDWL Series product line should, ideally, be used in association with a switch box or controller. A controller with 3 separate +12vdc switches is recommended in order to utilize all the features of this product to its fullest potential. However, a switch box to utilize all features and pattern activation wires is not required to operate this product.

Main Power/Ground Connections: Properly fuse (10A) the red wire and securely connect it to the vehicle's +12vdc power source.

Securely connect the black wire and non-insulated drain (may be enclosed within heat shrink) to the vehicle's common ground.

Flash Pattern Activation: Activate any of the flash patterns by supplying a continuous +12vdc supply to any of the pattern activation wires or wire combination. The yellow and blue pattern activation wires provide up to 3 (each wire individually or both wires combined) configurable flash pattern options. The green wire activates a configurable flash pattern and, under certain conditions, can be used along with the yellow and/or blue wires for override and product enhancement features. These features are described below for each specific application.

Configuring the Flash Patterns: All of the flash pattern wires have the ability to be configured to perform any of the flash patterns listed. A combined activation of the flash pattern wires, along with a momentary +12vdc supply to the orange wire (pattern selector), cycles through the flash patterns listed. Toggle thru the available flash patterns, when the preferred one is identified, discontinue the momentary supply to the orange wire and remove power from the pattern activation wire. The next time the same pattern wire is activated the product's memory automatically recalls and resumes the selected pattern.

Functions – Warning Light:

Warning Light Pattern Activation: Establishing a continuous +12vdc supply to any of the individual blue, yellow, or green pattern activation wires will activate a configurable flash pattern. Configure each wire, via the orange pattern selector wire, to your preferences. Combining the blue and yellow wires in the same manner will activate a 4th configurable warning light flash pattern.

Product Enhancement Feature (steady-on): Combined activation of either blue and/or yellow, along with the green wire, activates the "steady-on" feature. This feature is commonly referred to as "Call" mode, steadily illuminating the center segments (2 on TDWL24 and 4 on TDWL36) in compliance with steady-on/steady-red requirements.

Functions – Traffic Director:

Traffic Director Set-up: Easily configure all 3 directional patterns by establishing a continuous +12vdc connection to the blue wire (pattern 1). Utilizing the pattern selector wire (orange) configure this pattern to either of the direct left flash pattern options (#19 or #22). Pattern locations 2 and 4 (yellow and yellow combined with blue) are configured automatically to the similar (full or partial) direct right and direct center-out flash patterns.

Override Feature (wig-wag): Combined activation of either blue and/or yellow, along with the green wire activates the "wig-wag" override feature. The outer segments (1 on TDWL24's and 2 on TDWL36's) perform a wig-wag pattern with this wire combination. Simply remove the green wire's +12vdc supply to turn the wig-wag feature off, returning to the previously activated pattern.

Additional Warning Pattern: The green wire may also be configured to independently activate any of the available warning light flash patterns (#1 thru #18). This provides a single warning pattern option to become available when the product is used primarily as a traffic director.